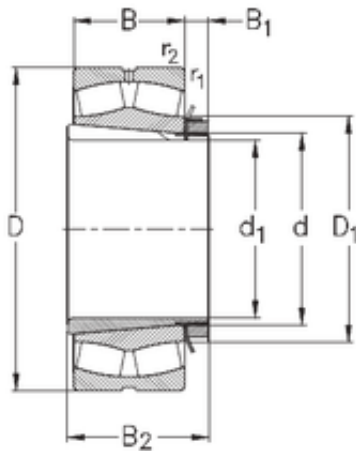




High Temperature BEARINGS CO., LTD

90 mm x 160 mm x 52,4 mm NKE 23218-CK-W33+H2318 spherical roller bearings

Bearing No. 23218-CK-W33+H2318



23218-CK-W33+H2318 Bearing 2D drawings and 3D CAD models

Size	90x160x52.4 mm
Bore Diameter	90 mm
Outer Diameter	160 mm
Width	52,4 mm
d	90 mm
d1	80 mm
D	160 mm
B	52,4 mm
C	52,4 mm
r1 min.	2 mm
r2 min.	2 mm
B1	19 mm
B2	86 mm
D1	120 mm
Weight	6,2 Kg
Basic dynamic load rating (C)	370 kN
Basic static load rating (C0)	522 kN
Limiting speed	3800 r/min
Calculation factor (e)	0,31
Calculation factor (Y0)	2,2
Calculation factor (Y1)	2,2