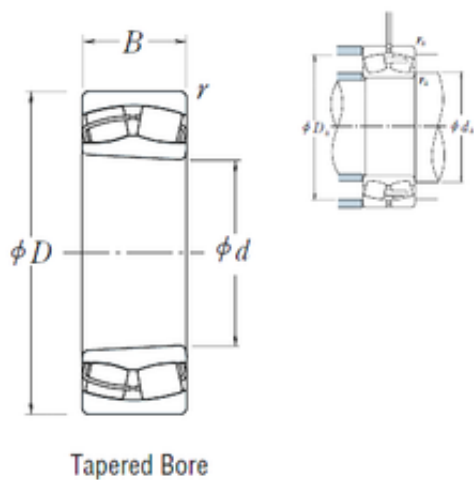




High Temperature BEARINGS CO., LTD



90 mm x 160 mm x 52,4 mm NSK 23218CKE4 spherical roller bearings

Bearing No. 23218CKE4

Size	90x160x52.4 mm
Bore Diameter	90 mm
Outer Diameter	160 mm
Width	52,4 mm
d	90 mm
D	160 mm
B	52,4 mm
C	52,4 mm
r min.	2 mm
da min.	100 mm
da max	105 mm
Da min	138 mm
Da max.	150 mm
ra max.	2 mm
Weight	4,51 Kg
Basic dynamic load rating (C)	340 kN
Basic static load rating (C0)	490 kN
(Grease) Lubrication Speed	1800 r/min
(Oil) Lubrication Speed	2400 r/min
Calculation factor (e)	0,32
Calculation factor (Y0)	2,1
Calculation factor (Y2)	3,2
Category	Bearings
Inventory	0.0
Manufacturer Name	NSK

23218CKE4 Bearing 2D drawings and 3D CAD models



High Temperature BEARINGS CO., LTD

Minimum Buy Quantity	N/A
Weight / Kilogram	4.343
Product Group	B04311
Y3	2.1
hidYobi	23218CKE4
LangID	1
Y1	2.1
D_	160
Y2	3.2
Macha rpm	0
B_	52.4
da min	100
hidTable	ecat_NSSPHR
Oil rpm	2400
Y0	2.1
mass	4.51
GRS rpm	1800
ra	2
TSR rpm	2800
C0	490
DE_	142.854
X0	1
Prod_Type3	SRB_CTB_TB
X1	1
X2	0.67
SIR	21
e	0.32
DA_	17.5
bomp	23218CKE4
Z_	19
ALP2	55
ALP1	11



High Temperature BEARINGS CO., LTD

ALP3	0
D_a max	150
D_a min	138
yobi	23218CKE4
ALPHA_	0.208
SDM_	125.731
r	2
KBRG	2322
SBRG	32
DI_	108.608