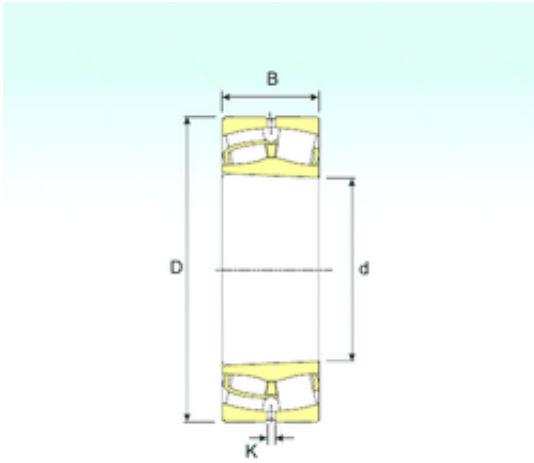




# High Temperature BEARINGS CO., LTD



90 mm x 160 mm x 52,4 mm ISB 23218 K  
spherical roller bearings

Bearing No. 23218 K

Size	90x160x52.4 mm
Bore Diameter	90 mm
Outer Diameter	160 mm
Width	52,4 mm
d	90 mm
D	160 mm
B	52,4 mm
C	52,4 mm
K	3 mm
Weight	4,65 Kg
Basic dynamic load rating (C)	348 kN
Basic static load rating (C0)	431 kN
(Grease) Lubrication Speed	2907 r/min

23218 K Bearing 2D drawings and 3D CAD models