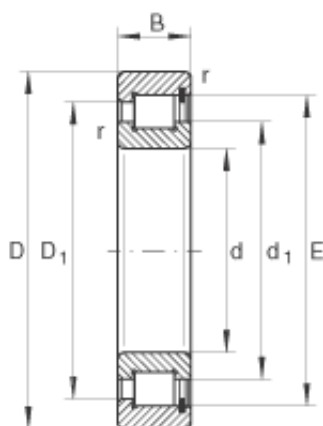




# High Temperature BEARINGS CO., LTD



80 mm x 140 mm x 33 mm INA SL182216  
cylindrical roller bearings

Bearing No. SL182216

SL182216 Bearing 2D drawings and 3D CAD models

Size	80x140x33 mm
Bore Diameter	80 mm
Outer Diameter	140 mm
Width	33 mm
d	80 mm
D	140 mm
B	33 mm
D <sub>1</sub>	119,3 mm
d <sub>1</sub>	98,6 mm
E	126,3 mm
r <sub>min</sub>	2 mm
s	1,5 mm / Axial displacement
m	2,15 kg / Weight
C <sub>r</sub>	223000 N / Dynamic load rating (radial)
C <sub>0r</sub>	280000 N / Static load rating (radial)
C <sub>ur</sub>	41000 N / Fatigue limit load, radial
n <sub>G</sub>	3000 1/min / Limiting speed
Category	Cylindrical Roller Bearings
Inventory	0.0
Manufacturer Name	SCHAEFFLER GROUP
Minimum Buy Quantity	N/A
Weight / Kilogram	2.577



## High Temperature BEARINGS CO., LTD

Product Group	B04144
Bore Profile	Straight
Cage Material	None
Precision Class	RBEC 1   ISO P0
Number of Rows of Rollers	Single Row
Separable	No
Rolling Element	Cylindrical Roller Bearing
Profile	Complete with Outer and Inner Ring
Snap Ring	No
Internal Clearance	C0-Medium
Retainer	No
Relubricatable	Yes
Inch - Metric	Metric
Other Features	Full Complement   2 Rib Inner Ring   1 Rib Outer Ring with Retaining Ring   Operating Temperature From -30 to 120 Deg
Long Description	80MM Bore; Straight Bore Profile; 140MM Outside Diameter; 33MM Width; RBEC 1   ISO P0; Single Row; Not Separable; No Snap Ring; Relubricatable; C0-Medium Internal Clearance; No Retainer
Category	Cylindrical Roller Bearing
UNSPSC	31171547
Harmonized Tariff Code	8482.50.00.00
Noun	Bearing
Manufacturer URL	<a href="http://www.ina.com">http://www.ina.com</a>
Manufacturer Item Number	SL182216
Weight / LBS	5.676
Outside Diameter	5.512 Inch   140 Millimeter
Width	1.299 Inch   33 Millimeter



## High Temperature BEARINGS CO., LTD

Bore	3.15 Inch   80 Millimeter
------	---------------------------