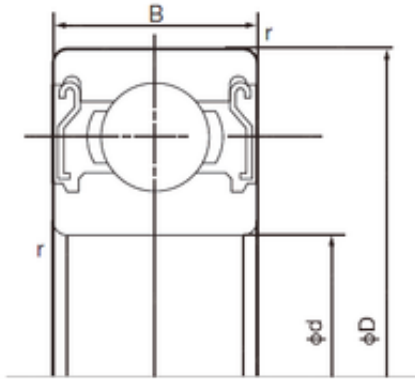




High Temperature BEARINGS CO., LTD

80 mm x 100 mm x 10 mm NACHI 6816ZZ
deep groove ball bearings



Bearing No. 6816ZZ

6816ZZ Bearing 2D drawings and 3D CAD models

Size	80x100x10 mm
Bore Diameter	80 mm
Outer Diameter	100 mm
Width	10 mm
d	80 mm
D	100 mm
B	10 mm
C	10 mm
r min.	0.6 mm
da min.	84 mm
Da max.	96 mm
ra max.	0.6 mm
Weight	0.155 Kg
Basic dynamic load rating (C)	12,7 kN
Basic static load rating (C0)	13,3 kN
Category	Single Row Ball Bearings
Inventory	0.0
Manufacturer Name	NACHI
Minimum Buy Quantity	N/A
Weight / Kilogram	0.154
EAN	4991893806373
Product Group	B00308
Enclosure	2 Metal Shields
Precision Class	ABEC 1 ISO P0
Maximum Capacity / Filling	No



High Temperature BEARINGS CO., LTD

Slot	
Rolling Element	Ball Bearing
Snap Ring	No
Internal Special Features	No
Internal Clearance	C0-Medium
Inch - Metric	Metric
Long Description	80MM Bore; 100MM Outside Diameter; 10MM Outer Race Diameter; 2 Metal Shields; Ball Bearing; ABEC 1 ISO P0; No Filling Slot; No Snap Ring; No Internal Special Features
Category	Single Row Ball Bearing
UNSPSC	31171504
Harmonized Tariff Code	8482.10.50.68
Noun	Bearing
Keyword String	Ball
Manufacturer URL	http://www.nachi.com
Manufacturer Item Number	6816 ZZ BV2S
Weight / LBS	0.34
Outer Race Width	0.394 Inch 10 Millimeter
Outside Diameter	3.937 Inch 100 Millimeter
Bore	3.15 Inch 80 Millimeter
Bore Type	Cylindrical Bore
Configuration	Single Row
Bore Size	80 mm
Width	10 mm
Fillet Radius/Chamfer	0.6 mm
Dynamic Load Rating	12,700 N
Static Load Rating	13,300 N
Limiting Speed - Grease	6,000 rpm
Factor fo	15.9
Radial Clearance	0.010 to 0.030 mm



High Temperature BEARINGS CO., LTD

da (min)	84 mm
Da (max)	96 mm
ra (max)	0.6 mm