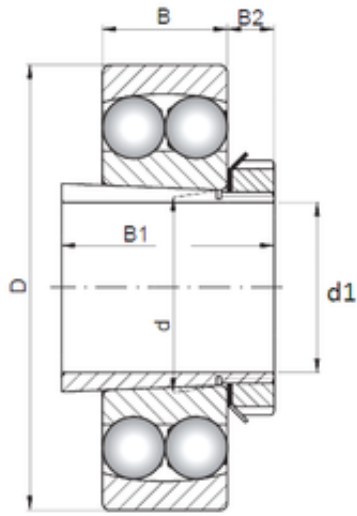




High Temperature BEARINGS CO., LTD



30 mm x 62 mm x 16 mm ISO 1206K+H206 self aligning ball bearings

Bearing No. 1206K+H206

Size	30x62x16 mm
Bore Diameter	30 mm
Outer Diameter	62 mm
Width	16 mm
d	30 mm
d1	25 mm
D	62 mm
B	16 mm
C	16 mm
B1	27 mm
B2	8 mm

1206K+H206 Bearing 2D drawings and 3D CAD models