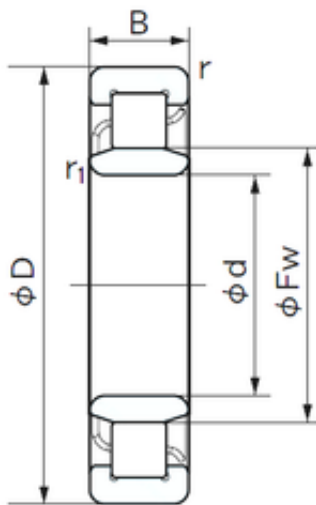




# High Temperature BEARINGS CO., LTD



30 mm x 62 mm x 16 mm NACHI NU 206  
cylindrical roller bearings

Bearing No. NU 206

Size	30x62x16 mm
Bore Diameter	30 mm
Outer Diameter	62 mm
Width	16 mm
d	30 mm
Fw	38.5 mm
D	62 mm
B	16 mm
r min.	1 mm
r1 min.	0.6 mm
Weight	0.204 Kg
Basic dynamic load rating (C)	23,5 kN
Basic static load rating (C0)	21,5 kN
(Grease) Lubrication Speed	10000 r/min

NU 206 Bearing 2D drawings and 3D CAD models