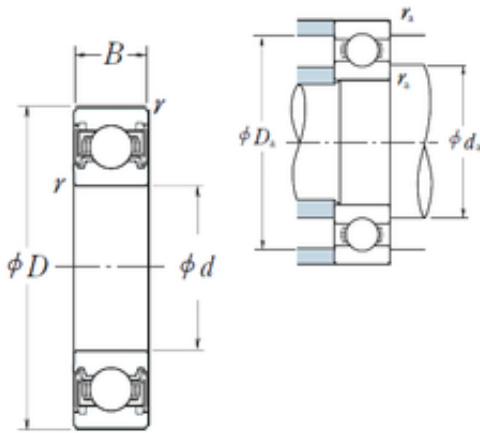




High Temperature BEARINGS CO., LTD



30 mm x 62 mm x 16 mm NSK 6206VV deep groove ball bearings

Bearing No. 6206VV

6206VV Bearing 2D drawings and 3D CAD models

Size	30x62x16 mm
Bore Diameter	30 mm
Outer Diameter	62 mm
Width	16 mm
d	30 mm
D	62 mm
B	16 mm
C	16 mm
r min.	1 mm
da min.	35 mm
da max	38,5 mm
Da max.	57 mm
ra max.	1 mm
Weight	0,199 Kg
Basic dynamic load rating (C)	19,5 kN
Basic static load rating (C0)	11,3 kN
(Grease) Lubrication Speed	11 000 r/min
Category	Single Row Ball Bearings
Inventory	0.0
Manufacturer Name	NSK
Minimum Buy Quantity	N/A
Weight / Kilogram	0.09
EAN	0029176014505
Product Group	B00308
Enclosure	2 Seals



High Temperature BEARINGS CO., LTD

Precision Class	ABEC 1 ISO P0
Maximum Capacity / Filling Slot	No
Rolling Element	Ball Bearing
Snap Ring	No
Internal Special Features	No
Cage Material	Steel
Enclosure Type	Non-Contact Seal
Internal Clearance	C0-Medium
Inch - Metric	Metric
Long Description	30MM Bore; 62MM Outside Diameter; 16MM Outer Race Diameter; 2 Seals; Ball Bearing; ABEC 1 ISO P0; No Filling Slot; No Snap Ring; No Internal Special Features
Category	Single Row Ball Bearing
UNSPSC	31171504
Harmonized Tariff Code	8482.10.50.68
Noun	Bearing
Keyword String	Ball
Manufacturer URL	http://www.nskamericas.com
Manufacturer Item Number	6206VV
Weight / LBS	0.199
Bore	1.181 Inch 30 Millimeter
Outside Diameter	2.441 Inch 62 Millimeter
Outer Race Width	0.63 Inch 16 Millimeter
SRI	4.81
hidYobi	6206VV
LangID	1
D_	62
SREX	0.04
B_	16



High Temperature BEARINGS CO., LTD

da min	35
hidTable	ecat_NSRDGB
SRE	5
mass	0.199
GRS rpm	11000
ra	1
SRIX	0.02
D_a	57
SRIN	0
C0	11.3
fo	13.8
SREN	0
DE_	56.025
Prod_Type3	DGBB_SR_VV
DA_	9.525
bomp	0
Z_	9
yobi	6206VV
C_conv	19500
ALPHA_	0
SDM_	46.5
r	1
KBRG	6151
SBRG	2
DI_	36.975