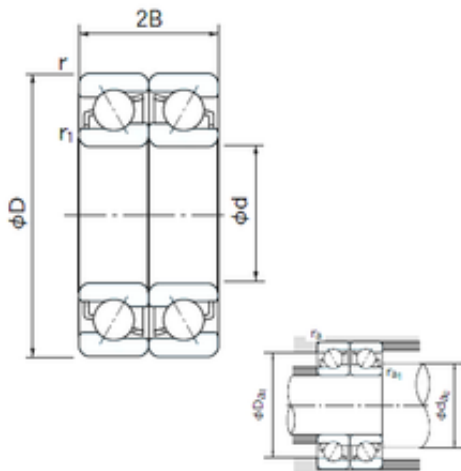




High Temperature BEARINGS CO., LTD



30 mm x 55 mm x 13 mm NACHI 7006DF
angular contact ball bearings

Bearing No. 7006DF

7006DF Bearing 2D drawings and 3D CAD models

Size	30x55x13 mm
Bore Diameter	30 mm
Outer Diameter	55 mm
Width	13 mm
d	30 mm
D	55 mm
B	13 mm
C	13 mm
Angle (°)	30 °
a	5.8 mm
r min.	1 mm
r1 min.	0.6 mm
2B	26 mm
da min.	35 mm
Da max.	52 mm
ra max.	0.6 mm
Weight	0.135 Kg
Basic dynamic load rating (C)	23,6 kN
Basic static load rating (C0)	20,3 kN
(Grease) Lubrication Speed	8500 r/min
Bore Type	Cylindrical Bore
Enclosure	Open
Configuration	Duplex
Bore Size	30 mm
Outside Diameter	55 mm



High Temperature BEARINGS CO., LTD

Width	13 mm
Fillet Radius/Chamfer	1 mm
r1	0.6 mm
Dynamic Load Rating	23,600 N
Static Load Rating	20,300 N
Limiting Speed - Grease	8,500 rpm
Limiting Speed - Oil	11,000 rpm
da1 (min)	35 mm
da2 (min)	35 mm
Da1 (max)	50 mm
Da2 (max)	52 mm
ra (max)	1 mm
ra1 (max)	0.6 mm