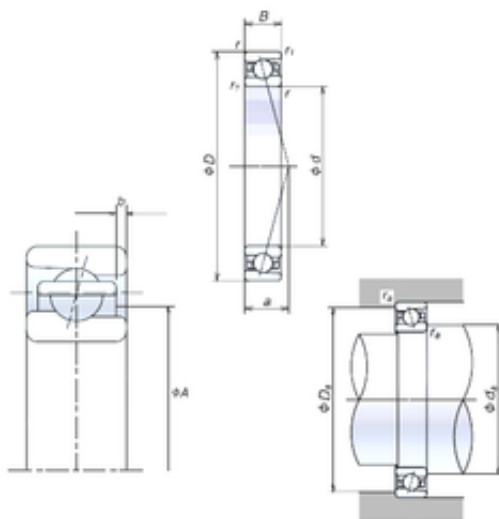




High Temperature BEARINGS CO., LTD

30 mm x 55 mm x 13 mm NSK 30BNR10S
angular contact ball bearings

Bearing No. 30BNR10S



30BNR10S Bearing 2D drawings and 3D CAD models

Size	30x55x13 mm
Bore Diameter	30 mm
Outer Diameter	55 mm
Width	13 mm
d	30 mm
D	55 mm
B	13 mm
C	13 mm
Angle (°)	18 °
a	13,3 mm
b	1 mm
r min.	1 mm
r1 min.	0,6 mm
A	39 mm
da min.	36 mm
Da max.	49 mm
ra max.	1 mm
Weight	0,124 Kg
Basic dynamic load rating (C)	8,65 kN
Basic static load rating (C0)	5,75 kN
(Grease) Lubrication Speed	33000 r/min