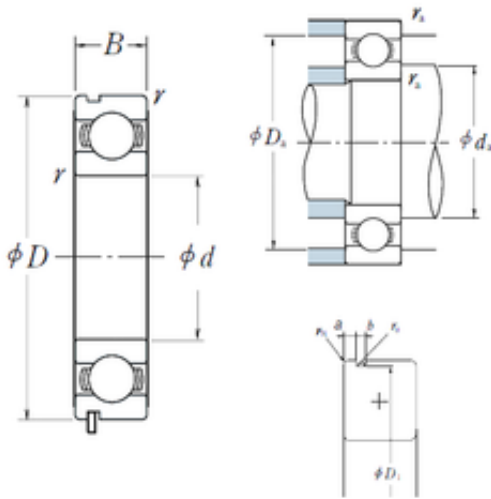




High Temperature BEARINGS CO., LTD

30 mm x 55 mm x 13 mm NSK 6006N deep groove ball bearings

Bearing No. 6006N



6006N Bearing 2D drawings and 3D CAD models

Size	30x55x13 mm
Bore Diameter	30 mm
Outer Diameter	55 mm
Width	13 mm
d	30 mm
D	55 mm
B	13 mm
C	13 mm
rn	0,5 mm
a	2,08 mm
b	1,35 mm
r min.	1 mm
r0 max.	0,4 mm
D1	52,6 mm
da min.	35 mm
da max	36,5 mm
Da max.	50 mm
ra max.	1 mm
Weight	0,116 Kg
Basic dynamic load rating (C)	13,2 kN
Basic static load rating (C0)	8,3 kN
(Grease) Lubrication Speed	13 000 r/min
(Oil) Lubrication Speed	15 000 r/min
SRI	3.61
hidYobi	6006N



High Temperature BEARINGS CO., LTD

LangID	1
ro	0.4
D_	55
SREX	0.04
B_	13
da min	35
hidTable	ecat_NSRDGB
Oil rpm	15000
SRE	3.79
mass	0.116
GRS rpm	13000
ra	1
SRIX	0.02
D_a	50
SRIN	0
C0	8.3
fo	14.7
SREN	0
DE_	49.844
Prod_Type3	DGBB_SR_N_OT
DA_	7.144
bomp	0
Z_	11
yobi	6006N
C_conv	13200
ALPHA_	0
SDM_	42.7
r	1
KBRG	6101
SBRG	10
DI_	35.556