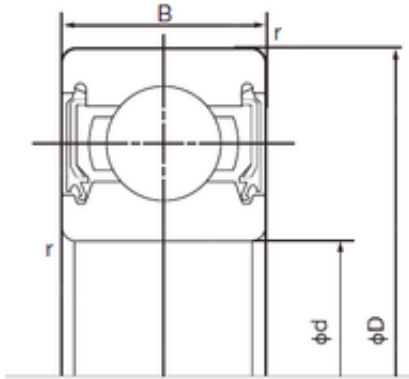




High Temperature BEARINGS CO., LTD

25 mm x 62 mm x 17 mm NACHI 6305-2NSE9
deep groove ball bearings



Bearing No. 6305-2NSE9

6305-2NSE9 Bearing 2D drawings and 3D CAD models

Size	25x62x17 mm
Bore Diameter	25 mm
Outer Diameter	62 mm
Width	17 mm
d	25 mm
D	62 mm
B	17 mm
C	17 mm
r min.	1.1 mm
Basic dynamic load rating (C)	23,6 kN
Basic static load rating (C0)	12,1 kN
Bore Type	Cylindrical Bore
Enclosure	Double Seal
Configuration	Single Row
Weight	0.232 kg
Bore Size	25 mm
Outside Diameter	62 mm
Width	17 mm
Fillet Radius/Chamfer	1.1 mm
Dynamic Load Rating	23,600 N
Static Load Rating	12,100 N
Limiting Speed - Grease	8,100 rpm
Factor fo	12.2
Radial Clearance	0.005 to 0.020 mm
da (min)	32 mm



High Temperature BEARINGS CO., LTD

Da (max)	55 mm
ra (max)	1 mm