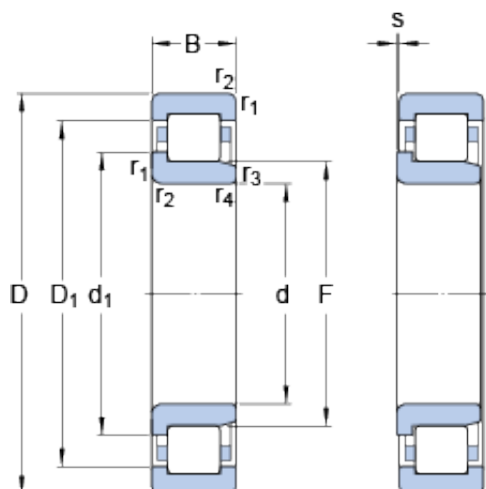




High Temperature BEARINGS CO., LTD



80 mm x 125 mm x 22 mm SKF NJ 1016 ECML thrust ball bearings

Bearing No. NJ 1016 ECML

NJ 1016 ECML Bearing 2D drawings and 3D CAD models

Size	125x80x22 mm
Bore Diameter	125 mm
Outer Diameter	80 mm
Width	22 mm
d	80 mm
D	125 mm
B	22 mm
d ₁	96.2 mm
D ₁	111.6 mm
F	91.5 mm
r _{1,2} - min.	1.1 mm
r _{3,4} - min.	1.1 mm
s	1.5 mm
d _a - min.	86 mm
d _a - max.	90 mm
d _b - min.	99 mm
D _a - max.	119 mm
r _a - max.	1 mm
Basic dynamic load rating - C	99 kN
Basic static load rating - C ₀	127 kN
Fatigue load limit - P _u	16.3 kN
Reference speed	6000 r/min
Limiting speed	9500 r/min
Calculation factor - k _r	0.15



High Temperature BEARINGS CO., LTD

d_1	96.2 mm
D_1	111.6 mm
$r_{1,2}$ min.	1.1 mm
$r_{3,4}$ min.	1 mm
s max.	1.5 mm
d_a min.	86 mm
d_a max.	90 mm
d_b min.	99 mm
D_a max.	119 mm
r_a max.	1 mm
Basic dynamic load rating C	99 kN
Basic static load rating C_0	127 kN
Fatigue load limit P_u	16.3 kN
Calculation factor k_r	0.15
Limiting value e	0.2
Axial load factor Y	0.6
Mass bearing	1.04 kg