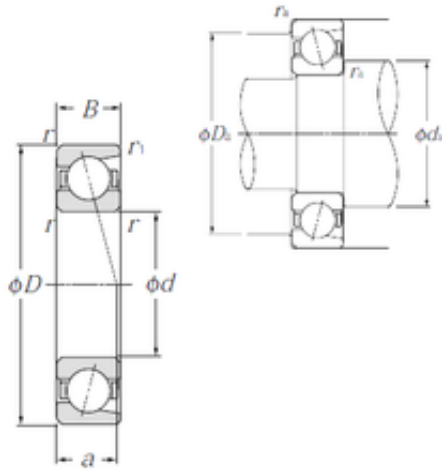




High Temperature BEARINGS CO., LTD

105 mm x 160 mm x 26 mm NTN 7021C
angular contact ball bearings



7021C Bearing 2D drawings and 3D CAD models

Bearing No. 7021C

Size	105x160x26 mm
Bore Diameter	105 mm
Outer Diameter	160 mm
Width	26 mm
d	105 mm
D	160 mm
B	26 mm
C	26 mm
Angle (°)	15 °
a	31 mm
r min.	2 mm
r1 min.	1 mm
Weight	1,53 Kg
Basic dynamic load rating (C)	88 kN
Basic static load rating (C0)	89,5 kN
(Grease) Lubrication Speed	6 100 r/min
(Oil) Lubrication Speed	8 100 r/min