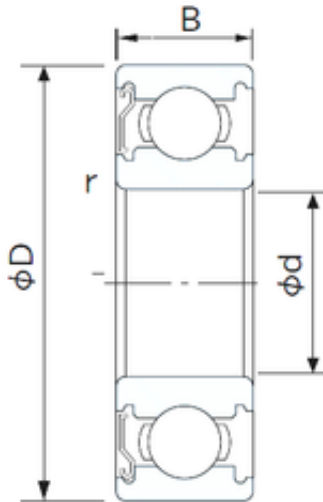




High Temperature BEARINGS CO., LTD



105 mm x 160 mm x 26 mm NACHI 6021Z
deep groove ball bearings

Bearing No. 6021Z

Size	105x160x26 mm
Bore Diameter	105 mm
Outer Diameter	160 mm
Width	26 mm
d	105 mm
D	160 mm
B	26 mm
C	26 mm
r min.	2 mm
da min.	113 mm
Da max.	152 mm
ra max.	2.0 mm
Weight	1.60 Kg
Basic dynamic load rating (C)	72,5 kN
Basic static load rating (C0)	65,5 kN
(Grease) Lubrication Speed	4000 r/min

6021Z Bearing 2D drawings and 3D CAD models